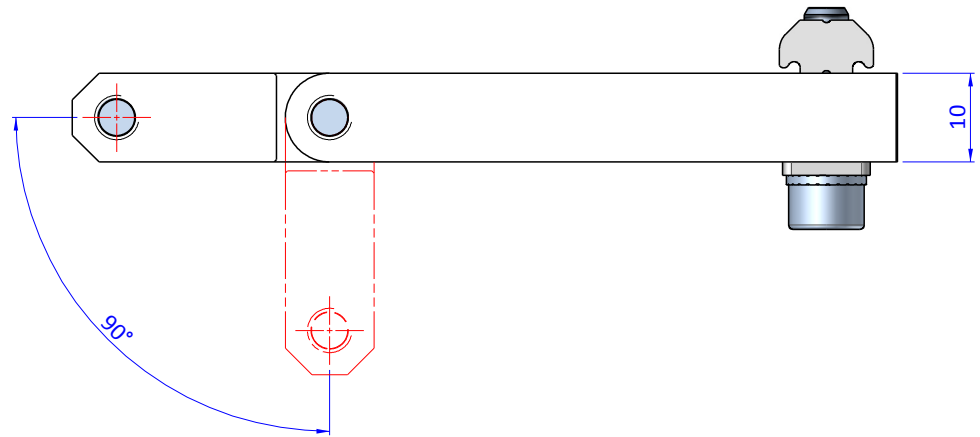
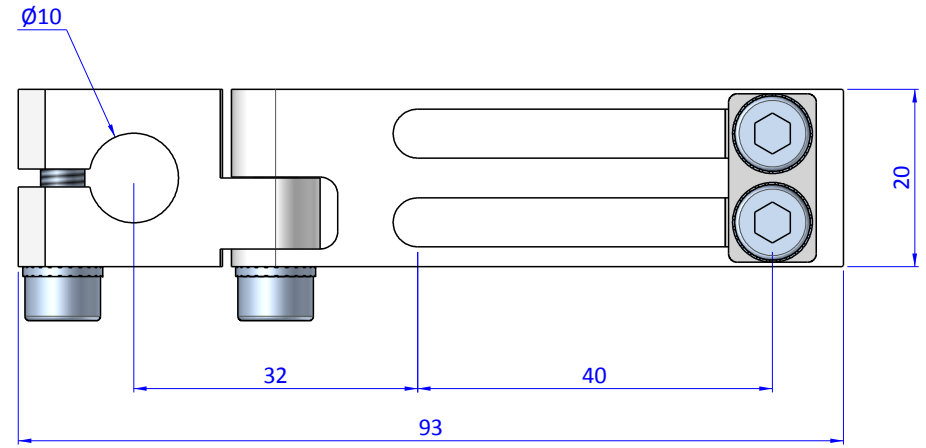
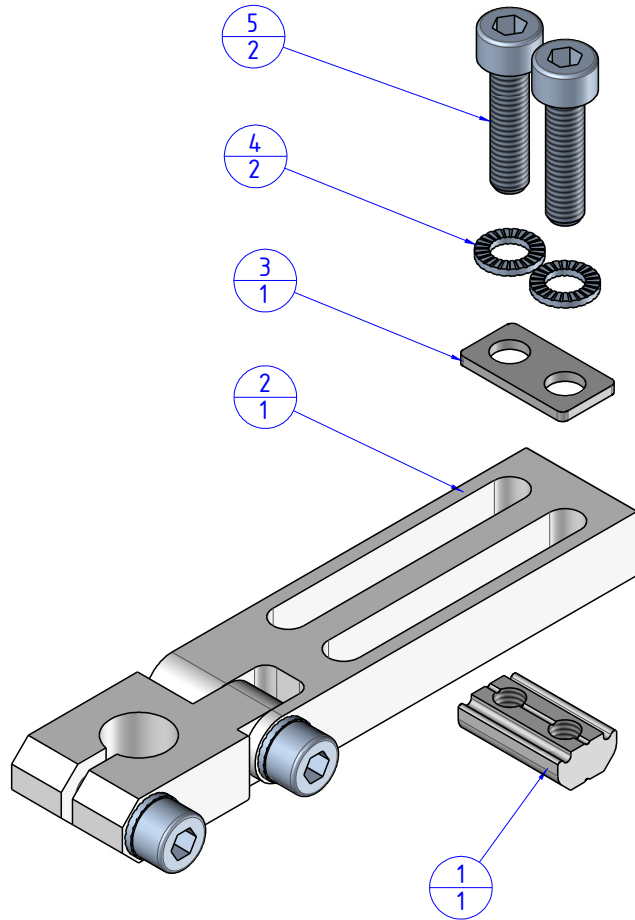


THE PROPERTY OF THE DRAWING IS ESTABLISHED BY LAW. IT IS FORBIDDEN TO PRODUCE OR SHOW IT TO THIRD PARTY, WITHOUT A WRITTEN AGREEMENT.

| Item | Name | Qty. |
|------|--------------|------|
| 1 | CA.GWP.5.10 | 1 |
| 2 | CA.WSL.GA.10 | 1 |
| 3 | R.05.10 | 1 |
| 4 | R.5.SCH | 2 |
| 5 | V.TCE5x20 | 2 |



Format A3

UNI 936-76

| | | | |
|-------------------|----------------|---------------|----------------|
| | | DESIGNED FROM | REVIEW |
| | | FP SERVICES | A |
| GENERAL TOLERANCE | DESCRIPTION | DATE | WEIGHT |
| UNI - ISO 2768 | CA.WSL.GA.10.X | 16/11/2018 | 0,060kg |
| CLASSE f | | CODE | CA.WSL.GA.10.X |